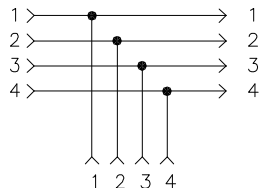
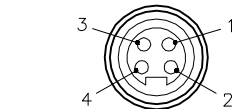
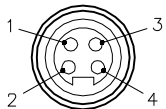


MALE END VIEW

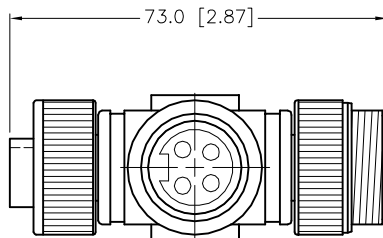
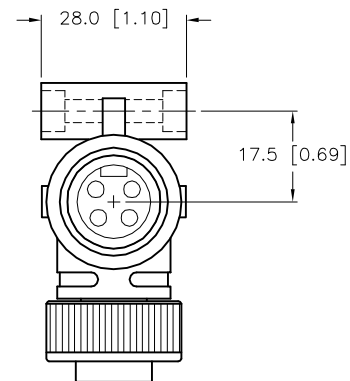
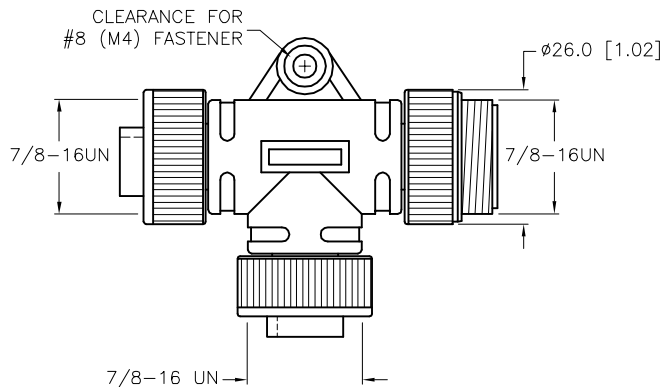
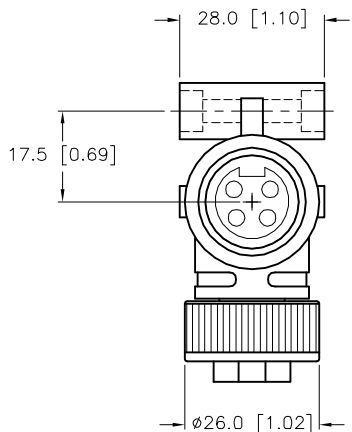
FEMALE END VIEW

WIRING DIAGRAM

SPECIFICATIONS



CONTACT CARRIER MATERIAL/COLOR	TPU/YELLOW
MOLDED HEAD MATERIAL/COLOR	TPU/YELLOW
CONTACT MATERIAL/PLATING	BRASS/GOLD
COUPLING NUT MATERIAL/PLATING	BRASS/NICKEL
RATED CURRENT [A]	9.0 A
RATED VOLTAGE [V]	250 V
TEMPERATURE RATING	-40°C TO +80°C (-40°F TO +176°F)
PROTECTION CLASS	MEETS NEMA 1,3,4,6P AND IEC IP67



SOURCE DRAWING - FOR REFERENCE ONLY

NOTES:

1. "KF" DESIGNATES KEYWAY OF DROP CONNECTOR FACES TOWARD THE FEMALE CONNECTOR.

RELATED DOCUMENTS		3RD ANGLE PROJECTION		THIS DRAWING IS CONFIDENTIAL AND THE PROPERTY OF TURCK INC. USE OF THIS DOCUMENT WITHOUT WRITTEN PERMISSION IS PROHIBITED.		<p>3000 CAMPUS DRIVE MINNEAPOLIS, MN 55441 1-800-544-7769 (763) 553-7300 (763) 553-0708 fax www.turck.us</p>	
1.				DRFT	RDS	DATE	12/30/03
2.				APVD	SC	SCALE	1=1.5
3.		UNIT OF MEASUREMENT				DESCRIPTION	
4.		MILLIMETER [ INCH ]				RSM-2RKM 40-KF	
MATERIAL		ALL DIMENSIONS DISPLAYED ON THIS DRAWING ARE FOR REFERENCE ONLY		CONTACT TURCK FOR MORE INFORMATION		IDENTIFICATION NO.	
SEE SPECIFICATIONS						O0954-64	
FINISH						REV	
SEE SPECIFICATIONS						D	
D		UPDATED NOTES PER ECO		TV		03/25/16	
REV		DESCRIPTION		BY		DATE	
						ECO NO.	
						DO NOT SCALE THIS DRAWING	
						FILE: U0954-64	
						SHEET 1 OF 1	